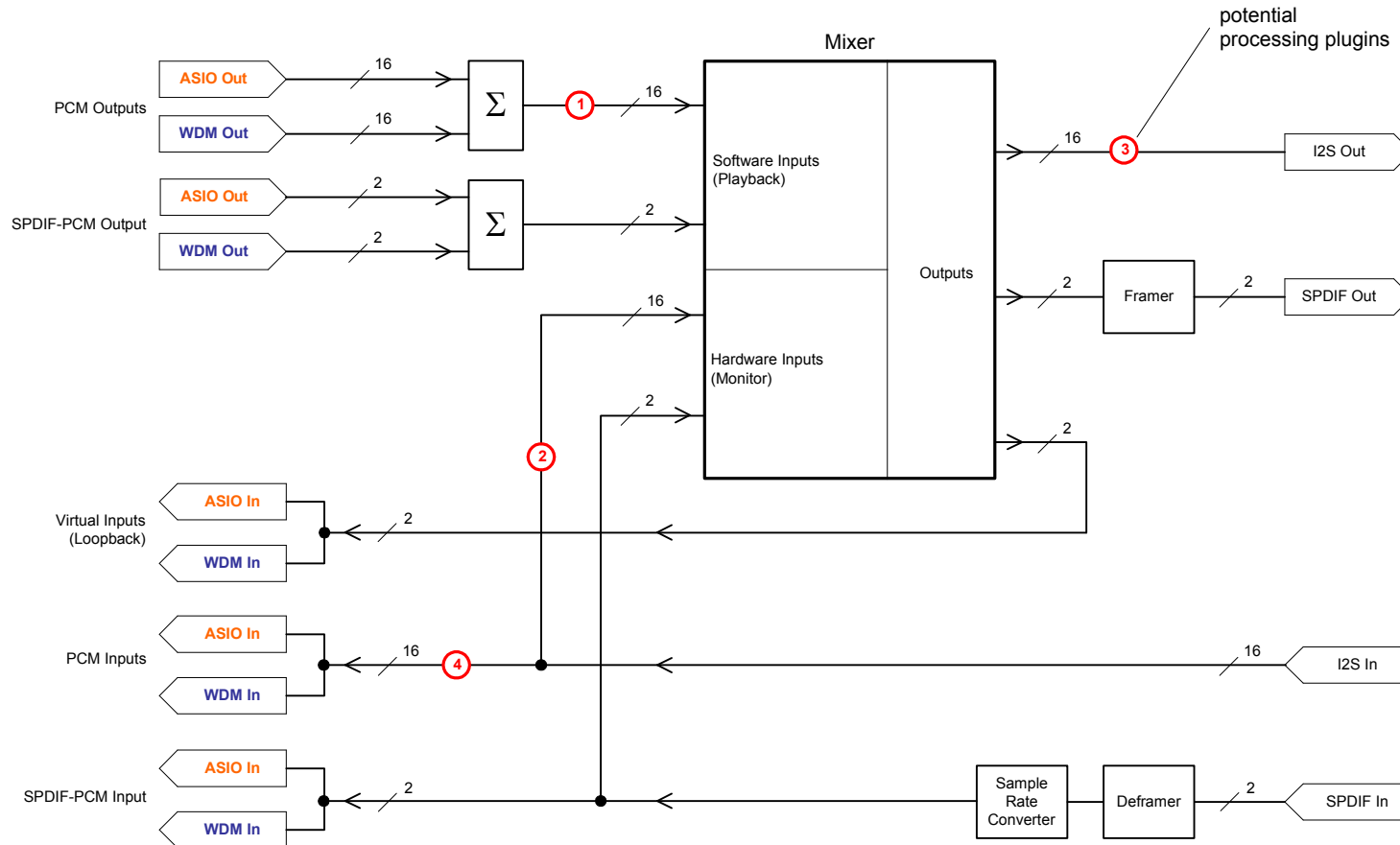


Signal Flow in the USBPAL Kernel-Mode Driver



Notes:

- 1) The figure shows the maximum channel count of 16. The channel count is configurable.
- 2) The mixer contains a full matrix. Any input can be routed to any output by means of a programmable connection weight.
- 3) The mixer contains a separate programmable volume control for each output channel.
- 4) SPDIF is optional (configurable).
- 5) Virtual inputs are optional (configurable). A virtual input enables the user to record a playback stream.
- 6) Each input/output channel can be configured to be exposed either via ASIO or WDM, or both (as shown in the figure).